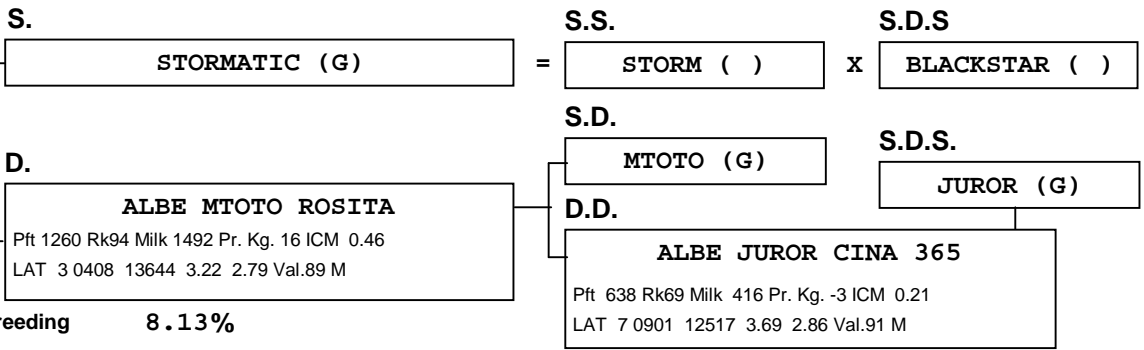


A.N.A.F.I. - Tested Bulls - 6 December 2011

CHANDLER		IT036000225188			
ALBE STORMATIC CHANDLER TL TV					
PFT	1,119	Rk%90	Rel. 89	Daug 72	Herd 57
Persistence	104	Maturity rate	105	Daug > 120 dd 64	
N° of milk records	1,071	% records 1°L.	50		
Living Bull			Not Active Bull		
Birth Date	05/07/2003	Date First	01/24/2005		
D. 1° Pub.	01/01/2009	Date Last	05/20/2011		
Gives Calculation	12/01/2011	Tot. Num	930		
		R.Birth-Last	5	82	
I.A. Center		COFA/NOVAGEN-IT			
IGT Yield	Milk	Fat	Protein	K-Cas.	
IT	Kg 1206	19	21	AA	
n° countries	1	% -0.24	-0.19		
	CR +/- 209	8	7		
Type	1.25	Rel.% 81	Daug 57	Herd	43
ICM	0.38				
Feet/Legs	3.14	Rel.% 70	Daug 57	Herd	43
Calvig Easy Bull	100	Rel.% 72	OBS 103	Herd	58
Calving Easy Daughters		Rel.%	Daug	Herd	
Speed Of I Milk	-----	Rel.%	Daug	Herd	
Somatic Cells	109	Rel.% 85	Daug 72	T.D.	1082
Longevity	102	Rel.% 67	Daug 62	%dau.dis.	53.2
Fertility	101	Rel.% 55	Daug 62	Herd	48
TEST DAY MODEL	Total	Maturity rate	1st	2 st	3 st
Milk	1206	108	851	1329	1437
Fat Kg	19	106	10	20	25
Protein Kg	21	104	15	24	23
Fat %	-0.24	94	-0.19	-0.27	-0.26
Protein %	-0.19	86	-0.13	-0.20	-0.23
Somatic Cells	109	107	106	109	111
Daug	72		71	50	22
Persistence	104		109	97	97
% weight of daughter			95	93	85
% records	1071		50	38	12
N°.average rec/leng			7.5	8.1	6.0
%milk. daug.>120 dd	89	% lactat.>240 day	78		
Average l.length	223	Average 1st lact.	252		
Gives Calculation	12/01/2011	Gives Press	12/08/2011		



		STANDARDIZATION/MORPHOLOGY							IT 12/01/2011	
		-3	-2	-1	0	1	2	3		
Milk Kg	1,206				g g g g g g g g	g g g g g g g g				
Fat Kg	19				g g g g g g					
Protein Kg	21				g g g g g g g g					
Type	1.25				g g g g g g g g g g					
Udder Index	0.38				g g g g					
Feet /Legs	3.14				g g g g g g g g g g	g g g g g g g g g g	g g g g g g g g g g	g g g g g g g g g g	g g g g g g g g g g	Desired
Stature	1.09				g g g g g g g g g g					
Strength	1.88				g g g g g g g g g g	g g g g g g g g g g				
Depth	2.31				g g g g g g g g g g	g g g g g g g g g g	g g g g g g g g g g			Deep
Angularity	2.58				g g g g g g g g g g	g g g g g g g g g g	g g g g g g g g g g	g g g g g g g g g g		Open rib
Rump Angle	-0.14				g					
Rump Width	1.36				g g g g g g g g g g					
Conformation	2.28				g g g g g g g g g g	g g g g g g g g g g	g g g g g g g g g g			Desired
Rear Legs	-2.08 Narrow				g g g g g g g g g g	g g g g g g g g g g				
Back Legs	3.92				g g g g g g g g g g	g g g g g g g g g g	g g g g g g g g g g	g g g g g g g g g g	g g g g g g g g g g	Perpendic.
Foot angle	2.71				g g g g g g g g g g	g g g g g g g g g g	g g g g g g g g g g	g g g g g g g g g g	g g g g g g g g g g	Tall
F.& L. Score	3.23				g g g g g g g g g g	g g g g g g g g g g	g g g g g g g g g g	g g g g g g g g g g	g g g g g g g g g g	Funct.
Fore Udder	0.43				g g g g					
R.Ud. Heigth	1.57				g g g g g g g g g g	g g g g g g g g g g				
R.Ud. Width	3.05				g g g g g g g g g g	g g g g g g g g g g	g g g g g g g g g g	g g g g g g g g g g	g g g g g g g g g g	Wide
Udder Cleft	0.85				g g g g g g g g					
Udder Depth	-1.02				g g g g g g g g g g					
Fore teats	0.70				g g g g g g g g					
Rear teats	-0.83				g g g g g g g g g g					
Teats Size	-1.42				g g g g g g g g g g	g g g g g g g g g g				
		85	90	95	100	105	110	115		
Calvig Easy Bull	100									
Calving Easy										
Speed Of I Milk	-----									
Somatic Cells	109				g g g g g g g g g g	g g g g g g g g g g				
Longevity	102				g g g g					
Fertility	101				g g					