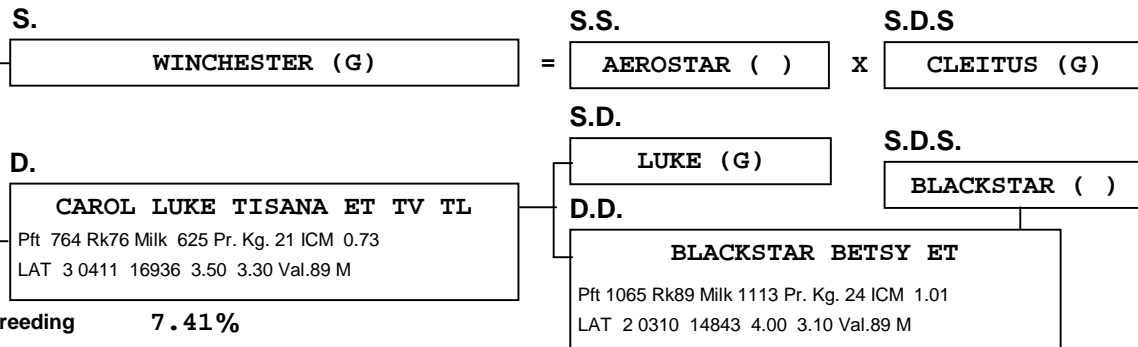


A.N.A.F.I. - Tested Bulls - 6 December 2011

DARLING		IT056000009834			
CAROL WINCHESTER DARLING ET TV					
PFT	778	Rk%82	Rel. 99	Daug 11284	Herd 2,913
Persistence 109		Maturity rate 105		Daug > 120 dd 10,494	
N° of milk records 180,343		% records 1°L. 49			
Living Bull			Not Active Bull		
Birth Date	04/28/1999	Date First	06/22/2000		
D. 1° Pub.	02/01/2004	Date Last	09/19/2011		
Gives Calculation	12/01/2011	Tot. Num	73633		
		R.Birth-Last	5 11859		
I.A. Center		COFA/NOVAGEN-IT			
IGT Yield	Milk	Fat	Protein	K-Cas.	
IT	Kg	461	-1	16	AA
n° countries	%		-0.18	0.00	
	CR +/-	63	2	2	
Type	0.33	Rel.% 99	Daug	9699	Herd 2542
ICM	0.58				
Feet/Legs	0.24	Rel.% 99	Daug	9699	Herd 2542
Calvig Easy Bull	93	Rel.% 99	OBS	15880	Herd 1912
Calving Easy Daughters	98	Rel.% 99	Daug	7002	Herd 1682
Speed Of I Milk	100	Rel.% 99	Daug	7804	Herd 1906
Somatic Cells	104	Rel.% 99	Daug	11285	T.D. 181897
Longevity	109	Rel.% 99	Daug	10571	%dau.dis. 31.3
Fertility	100	Rel.% 99	Daug	9978	Herd 2570
TEST DAY MODEL	Total	Maturity rate	1st	2 st	3 st
Milk	461	105	221	566	597
Fat Kg	-1	104	-8	1	3
Protein Kg	16	105	9	18	21
Fat %	-0.18	96	-0.14	-0.20	-0.19
Protein %	0.00	100	0.01	-0.01	0.01
Somatic Cells	104	108	100	106	106
Daug	11284		11186	8382	4449
Persistence	109		111	105	105
% weight of daughter			100	100	100
% records	180343		49	35	16
N°.average rec/leng			8.0	7.6	6.3
%milk. daug.>120 dd	93	% lactat.>240 day	76		
Average l.length	210	Average 1st lact.	260		
Gives Calculation	12/01/2011	Gives Press	12/09/2011		



STANDARDIZATION/MORPHOLOGY

		-3	-2	-1	0	1	2	3
Milk Kg	461				g g g g g			
Fat Kg	-1							
Protein Kg	16				g g g g g g g			
Type	0.33				g g g			
Udder Index	0.58				g g g g g g			
Feet /Legs	0.24				g g			
Stature	-0.03							
Strength	-0.81			g g g g g g g				
Depth	-0.62			g g g g g g				
Angularity	0.13			g				
Rump Angle	1.38				g g g g g g g g g g g g			
Rump Width	-0.38			g g g				
Conformation	0.75				g g g g g g g			
Rear Legs	1.95				g g g g g g g g g g g g g g g g			
Back Legs	-0.15				g			
Foot angle	-0.05							
F.& L. Score	0.85				g g g g g g g g g			
Fore Udder	0.19				g g			
R.Ud. Heigth	0.16				g			
R.Ud. Width	-0.93			g g g g g g g g g				
Udder Cleft	1.43				g g g g g g g g g g g g g g g g			
Udder Depth	1.55				g g g g g g g g g g g g g g g g			
Fore teats	-1.08			g g g g g g g g g g g g				
Rear teats	0.44				g g g g g			
Teats Size	-1.72			g g g g g g g g g g g g g g g g g g				
		85	90	95	100	105	110	115
Calvig Easy Bull	93			g g g g g g g g g g g g g g g g				
Calving Easy	98			g g g				
Speed Of I Milk	100							
Somatic Cells	104				g g g g g g g			
Longevity	109				g g g g g g g g g g g g g g g g			
Fertility	100							