

A.N.A.F.I. - Tested Bulls - 6 December 2011

<b>DARLOY</b>	IT056000009900				
CAROL JAMES DARLOY					
<b>PFT 855</b>	<b>Rk%84</b>	<b>Rel. 98</b>	Daug 480	Herd 223	
Persistence 102		Maturity rate 112	Daug > 120 dd 432		
N° of milk records 6,771		% records 1°L. 53			
<b>Dead Bull Semen Scar</b>			<b>Not Active Bull</b>		
<b>Birth Date</b>	10/01/1999	<b>Date First</b>	12/14/2000		
<b>D. 1° Pub.</b>	05/01/2004	<b>Date Last</b>	09/30/2011		
<b>Gives Calculation</b>	12/01/2011	<b>Tot. Num</b>	5541		
		<b>R.Birth-Last</b>	5 471		
<b>I.A. Center</b>	COFA/NOVAGEN-IT				

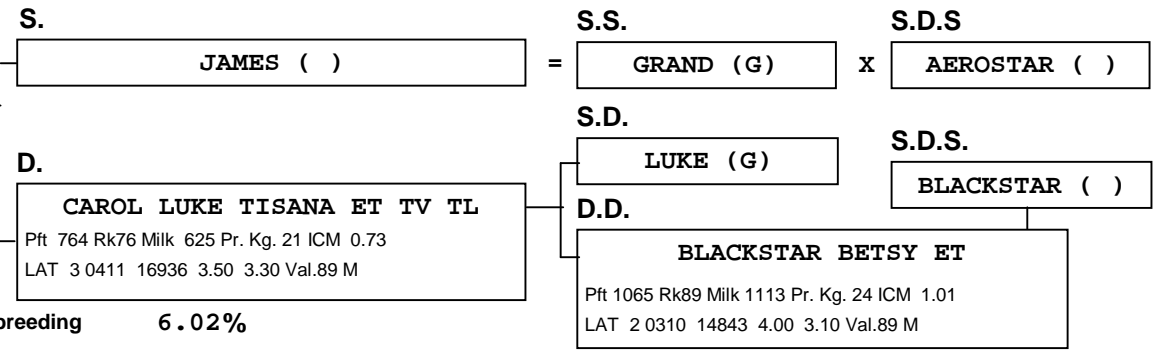
<b>IGT Yield</b>	<b>Milk</b>	<b>Fat</b>	<b>Protein</b>	<b>K-Cas.</b>
IT	Kg 337	-17	6	AA
n° countries 1	%	-0.29	-0.05	
CR +/-	89	3	3	

<b>Type</b>	<b>1.23</b>	<b>Rel.%96</b>	Daug	<b>383</b>	Herd	<b>172</b>
<b>ICM</b>	<b>1.78</b>					
<b>Feet/Legs</b>	<b>1.20</b>	<b>Rel.%92</b>	Daug	<b>383</b>	Herd	<b>172</b>

<b>Calvig Easy Bull</b>	<b>97</b>	<b>Rel.%94</b>	OBS	<b>755</b>	Herd	<b>197</b>
<b>Calving Easy Daughters</b>	<b>97</b>	<b>Rel.%81</b>	Daug	<b>270</b>	Herd	<b>134</b>
<b>Speed Of I Milk</b>	<b>99</b>	<b>Rel.%88</b>	Daug	<b>360</b>	Herd	<b>156</b>
<b>Somatic Cells</b>	<b>110</b>	<b>Rel.%97</b>	Daug	<b>480</b>	T.D.	<b>6823</b>
<b>Longevity</b>	<b>103</b>	<b>Rel.%86</b>	Daug	<b>440</b>	%dau.dis.	<b>44.0</b>
<b>Fertility</b>	<b>102</b>	<b>Rel.%85</b>	Daug	<b>418</b>	Herd	<b>185</b>

<b>TEST DAY MODEL</b>	<b>Total</b>	<b>Maturity rate</b>	<b>1st</b>	<b>2 st</b>	<b>3 st</b>
<b>Milk</b>	337	112	-92	311	793
<b>Fat Kg</b>	-17	113	-34	-17	0
<b>Protein Kg</b>	6	111	-5	3	20
<b>Fat %</b>	-0.29	99	-0.28	-0.29	-0.29
<b>Protein %</b>	-0.05	94	-0.02	-0.08	-0.06
<b>Somatic Cells</b>	110	107	108	110	113
<b>Daug</b>	480		477	301	145
<b>Persistence</b>	102		100	97	103
<b>% weight of daughter</b>			99	99	98
<b>% records</b>	6771		53	32	15
<b>N°.average rec/leng</b>			7.5	7.2	7.1

<b>%milk. daug.&gt;120 dd</b>	<b>90</b>	<b>% lactat.&gt;240 day</b>	<b>74</b>
<b>Average l.length</b>	<b>218</b>	<b>Average 1st lact.</b>	<b>249</b>
<b>Gives Calculation</b>	12/01/2011	<b>Gives Press</b>	12/09/2011



		<b>STANDARDIZATION/MORPHOLOGY</b>							<b>IT 12/01/2011</b>								
<b>Milk Kg</b>	<b>337</b>																
<b>Fat Kg</b>	<b>-17</b>																
<b>Protein Kg</b>	<b>6</b>																
<b>Type</b>	<b>1.23</b>																
<b>Udder Index</b>	<b>1.78</b>																
<b>Feet /Legs</b>	<b>1.20</b>																
<b>Stature</b>	<b>1.62</b>																
<b>Strength</b>	<b>0.61</b>																
<b>Depth</b>	<b>-0.09</b>																
<b>Angularity</b>	<b>-1.16</b>																
<b>Rump Angle</b>	<b>1.11</b>																
<b>Rump Width</b>	<b>0.33</b>																
<b>Conformation</b>	<b>0.70</b>																
<b>Rear Legs</b>	<b>-1.66</b>																
<b>Back Legs</b>	<b>0.87</b>																
<b>Foot angle</b>	<b>1.87</b>																
<b>F.&amp; L. Score</b>	<b>0.92</b>																
<b>Fore Udder</b>	<b>1.86</b>																
<b>R.Ud. Heigth</b>	<b>0.48</b>																
<b>R.Ud. Width</b>	<b>-0.68</b>																
<b>Udder Cleft</b>	<b>2.23</b>															<b>Strong</b>	
<b>Udder Depth</b>	<b>3.27</b>															<b>Shallow</b>	
<b>Fore teats</b>	<b>0.17</b>																
<b>Rear teats</b>	<b>0.35</b>																
<b>Teats Size</b>	<b>0.37</b>																
<b>Calvig Easy Bull</b>	<b>97</b>																
<b>Calving Easy</b>	<b>97</b>																
<b>Speed Of I Milk</b>	<b>99</b>																
<b>Somatic Cells</b>	<b>110</b>																
<b>Longevity</b>	<b>103</b>																
<b>Fertility</b>	<b>102</b>																