

A.N.A.F.I. - Tested Bulls - 6 December 2011

GOLDMAT		IT056000030985	
CAROL AARON GOLDMAT ET TV			
PFT	923	Rk%86	Rel. 93
Daug 122		Herd 69	
Persistence 102		Maturity rate 104	
Daug > 120 dd 102		N° of milk records 1,769	
% records 1°L. 48			
Dead Bull Semen Scar		Not Active Bull	
Birth Date	09/04/2000	Date First	01/30/2002
D. 1° Pub.	02/01/2006	Date Last	10/13/2011
Gives Calculation	12/01/2011	Tot.Num	4373
R.Birth-Last 5		363	
I.A. Center		COFA/INTERSTATES	

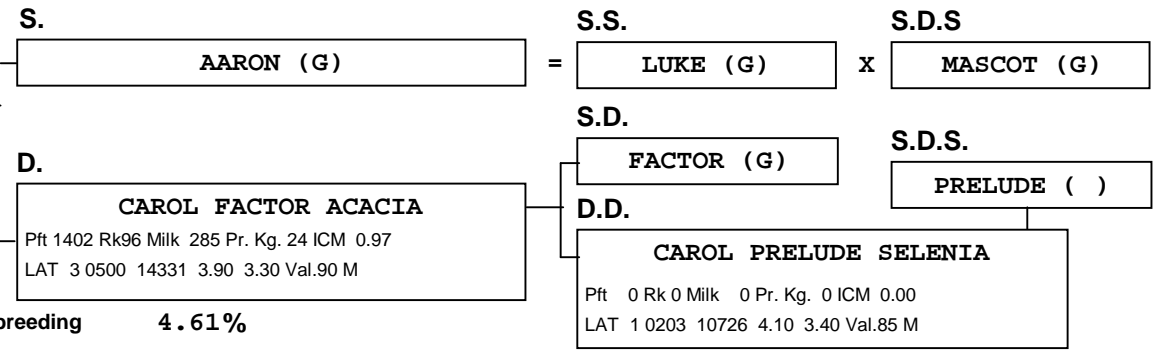
IGT Yield	Milk	Fat	Protein	K-Cas.
IT	Kg	295	23	25
n° countries	%	1	0.12	0.15
CR +/-	167	6	5	

Type	1.01	Rel.%87	Daug	90	Herd	50
ICM	1.12					
Feet/Legs	1.85	Rel.%78	Daug	90	Herd	50

Calvig Easy Bull	98	Rel.%91	OBS	475	Herd	118
Calving Easy Daughters	100	Rel.%59	Daug	73	Herd	39
Speed Of I Milk	105	Rel.%68	Daug	83	Herd	46
Somatic Cells	99	Rel.%90	Daug	122	T.D.	1792
Longevity	99	Rel.%73	Daug	107	%dau.dis.	53.2
Fertility	95	Rel.%62	Daug	99	Herd	57

TEST DAY MODEL	Total	Maturity rate	1st	2 st	3 st
Milk	295	106	109	272	504
Fat Kg	23	104	16	25	27
Protein Kg	25	103	22	25	29
Fat %	0.12	98	0.11	0.15	0.09
Protein %	0.15	93	0.17	0.17	0.12
Somatic Cells	99	97	100	100	97
Daug	122		116	76	46
Persistence	102		102	100	98
% weight of daughter			97	95	92
% records	1769		48	31	21
N°.average rec/leng			7.3	7.3	8.0

%milk. daug.>120 dd	84	% lactat.>240 day	77
Average l.length	222	Average 1st lact.	235
Gives Calculation	12/01/2011	Gives Press	12/09/2011



		STANDARDIZATION/MORPHOLOGY							IT 12/01/2011	
		-3	-2	-1	0	1	2	3		
Milk Kg	295				g g g g					
Fat Kg	23				g g g g g g g g					
Protein Kg	25				g g g g g g g g g g					
Type	1.01				g g g g g g g g					
Udder Index	1.12				g g g g g g g g g g					
Feet /Legs	1.85				g g g g g g g g g g g g g g g g					
Stature	0.98				g g g g g g g g g g					
Strength	0.59				g g g g g g					
Depth	0.59				g g g g g g					
Angularity	-0.02									
Rump Angle	-0.63				g g g g g g					
Rump Width	-0.08				g					
Conformation	1.42				g g g g g g g g g g g g g g					
Rear Legs	-1.48				g g g g g g g g g g g g g g g g					
Back Legs	2.08				g g g g g g g g g g g g g g g g					Perpendic.
Foot angle	1.57				g g g g g g g g g g g g g g					
F.& L. Score	1.96				g g g g g g g g g g g g g g g g					
Fore Udder	0.43				g g g g					
R.Ud. Heigth	0.61				g g g g g g					
R.Ud. Width	-0.93				g g g g g g g g					
Udder Cleft	1.71				g g g g g g g g g g g g g g g g					
Udder Depth	1.36				g g g g g g g g g g g g g g					
Fore teats	1.32				g g g g g g g g g g g g g g					
Rear teats	1.89				g g g g g g g g g g g g g g g g					
Teats Size	1.63				g g g g g g g g g g g g g g					
		85	90	95	100	105	110	115		
Calvig Easy Bull	98				g g g g					
Calving Easy	100									
Speed Of I Milk	105				g g g g g g g g g g					
Somatic Cells	99				g g					
Longevity	99				g g					
Fertility	95				g g g g g g g g g g					