

A.N.A.F.I. - Tested Bulls - 6 December 2011

KERNEL	IT056000093301				
CAROL MORTY KERNEL TV TL					
PFT 1,219	Rk% 92	Rel. 96	Daug 252	Herd 127	
Persistency 111	Maturity rate 106	Daug > 120 dd 199			
N° of milk records 3,492	% records 1°L. 49				
Living Bull			Not Active Bull		
Birth Date	08/19/2003	Date First	08/20/2004		
D. 1° Pub.	08/01/2008	Date Last	10/12/2011		
Gives Calculation	12/01/2011	Tot. Num	7422		
		R.Birth-Last	5 726		
I.A. Center	COFA/GB GENETICS				

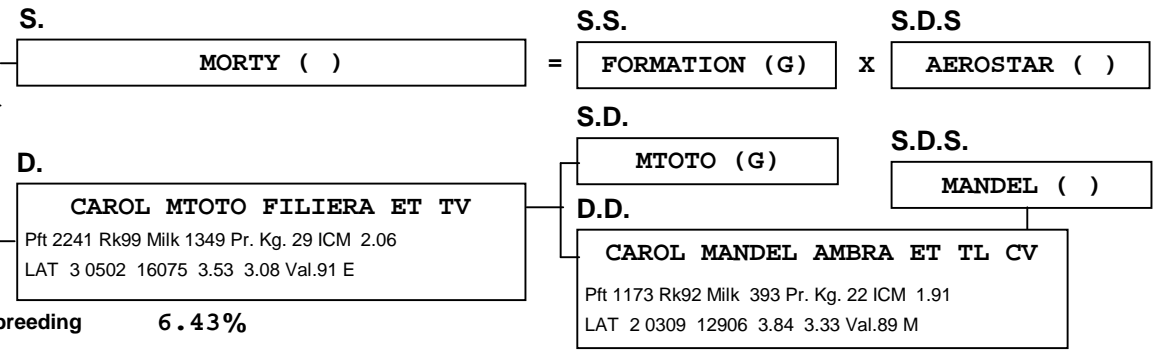
IGT Yield	Milk	Fat	Protein	K-Cas.
IT Kg 1309	22	26	AB	
n° countries 1	% -0.24	-0.17		
CR +/- 126	5	4		

Type	1.64	Rel.% 92	Daug 171	Herd 89
ICM	1.50			
Feet/Legs	2.66	Rel.% 85	Daug 171	Herd 89

Calvig Easy Bull	107	Rel.% 96	OBS 1221	Herd 189
Calving Easy Daughters	104	Rel.% 72	Daug 163	Herd 77
Speed Of I Milk	105	Rel.% 78	Daug 179	Herd 85
Somatic Cells	107	Rel.% 94	Daug 252	T.D. 3524
Longevity	102	Rel.% 78	Daug 212	%dau.dis. 42.4
Fertility	95	Rel.% 72	Daug 186	Herd 93

TEST DAY MODEL	Total	Maturity rate	1st	2 st	3 st
Milk	1309	107	988	1429	1511
Fat Kg	22	107	9	30	28
Protein Kg	26	104	19	29	28
Fat %	-0.24	99	-0.25	-0.21	-0.26
Protein %	-0.17	89	-0.13	-0.18	-0.21
Somatic Cells	107	100	106	109	106
Daug	252		250	150	83
Persistency	111		111	105	109
% weight of daughter			99	98	96
% records	3492		49	33	18
N°.average rec/leng			6.8	7.7	7.6

%milk. daug.>120 dd	79	% lactat.>240 day	74
Average l.length	202	Average 1st lact.	221
Gives Calculation 12/01/2011		Gives Press 12/08/2011	



		STANDARDIZATION/MORPHOLOGY						IT 12/01/2011						
				-3	-2	-1	0	1	2	3				
Milk Kg	1,309						g g g g g g g g	g g g g g g g g						
Fat Kg	22						g g g g g g g g							
Protein Kg	26						g g g g g g g g g g							
Type	1.64						g g g g g g g g g g							
Udder Index	1.50						g g g g g g g g g g							
Feet /Legs	2.66						g g g g g g g g g g g g g g g g			Desired				
Stature	1.73						g g g g g g g g g g							
Strength	0.91						g g g g g g g g							
Depth	1.08						g g g g g g g g g g							
Angularity	2.37						g g g g g g g g g g g g g g g g			Open rib				
Rump Angle	-2.50 High Pins						g g g g g g g g g g g g g g g g							
Rump Width	0.50						g g g g							
Conformation	2.70						g g g g g g g g g g g g g g g g			Desired				
Rear Legs	-0.64						g g g g g g							
Back Legs	2.29						g g g g g g g g g g g g g g g g g g			Perpendic.				
Foot angle	2.60						g g g g g g g g g g g g g g g g g g g g			Tall				
F.& L. Score	3.12						g g			Funct.				
Fore Udder	1.74						g g g g g g g g g g g g g g							
R.Ud. Heigth	1.96						g g g g g g g g g g g g g g g g g g							
R.Ud. Width	1.23						g g g g g g g g g g g g							
Udder Cleft	1.14						g g g g g g g g g g							
Udder Depth	1.06						g g g g g g g g g g							
Fore teats	1.92						g g g g g g g g g g g g g g g g							
Rear teats	0.19						g g							
Teats Size	-0.66						g g g g g g							
				85	90	95	100	105	110	115				
Calvig Easy Bull	107						g g g g g g g g g g g g							
Calving Easy	104						g g g g g g g g							
Speed Of I Milk	105						g g g g g g g g g g							
Somatic Cells	107						g g g g g g g g g g g g							
Longevity	102						g g g							
Fertility	95						g g g g g g g g g g							