

A.N.A.F.I. - Tested Bulls

| | | | | | |
|-------------------------------|------------------|---------------------|------------------------|-----------|--|
| LUKE | US000002071864 | | | | |
| NORRIELAKE CLEITUS LUKE TV TL | | | | | |
| PFT 458 | Rk%72 | Rel. 99 | Daug 7825 | Herd 1963 | |
| Persistence 96 | | Maturity rate 97 | | | |
| N° of milk 128,393 | | % records 1°L. 48 | | | |
| Living Bull | | | Not Active Bull | | |
| Birth Date | 05/07/1988 | Date First | 10/13/1993 | | |
| D. 1° Pub. | 03/01/1997 | Date Last | 07/14/2006 | | |
| Gives Calculation | 10/01/2006 | Tot.Num | 59980 | | |
| | | R.Birth-Last | 5 1120 | | |
| I.A. Center | ALTA ITALIA - MI | | | | |

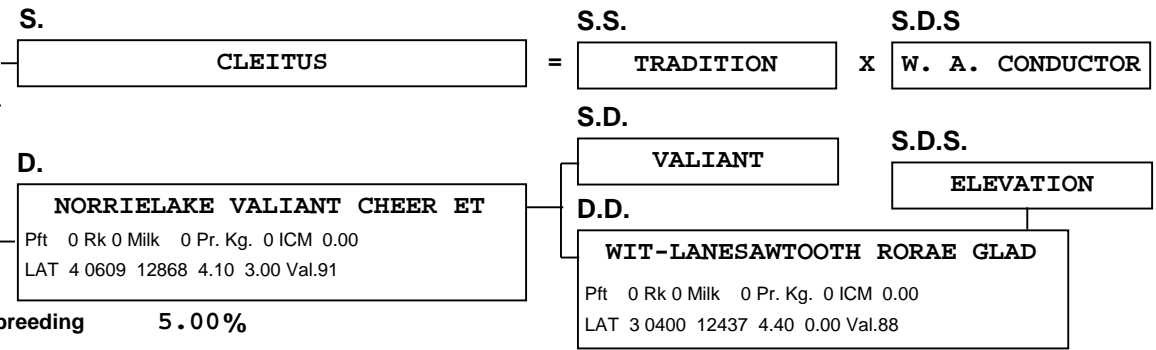
| | | | | |
|------------------|-------------|------------|----------------|---------------|
| IGT Yield | Milk | Fat | Protein | K-Cas. |
| IT | Kg 1000 | -4 | 22 | AA |
| n° countries 18 | % | -0.40 | -0.11 | |
| | CR +/- | 63 | 2 | 2 |

| | | | | | |
|------------------|-------------|----------------|------|-------------|------------------|
| Type | 0.88 | Rel.%99 | Daug | 6486 | Herd 1715 |
| ICM | 0.88 | | | | |
| Feet/Legs | 1.93 | Rel.%99 | Daug | 5437 | Herd 1585 |

| | | | | | |
|-------------------------------|------------|----------------|------|--------------|-------------------------|
| Calvig Easy Bull | 88 | Rel.%99 | OBS | 11658 | Herd 1532 |
| Calving Easy Daughters | 89 | Rel.%99 | Daug | 5052 | Herd 1297 |
| Speed Of I Milk | 104 | Rel.%99 | Daug | 5689 | Herd 1396 |
| Somatic Cells | 96 | Rel.%99 | Daug | 7717 | Test Day 12445 |
| Longevity | 92 | Rel.%99 | Daug | 7373 | %dau.dis. 81.2 % |
| Fertility | 82 | Rel.%99 | Daug | 6915 | Herd 1752 |

| | | | | | |
|----------------------------|---------------|----------------------|--------------|--------------|--------------|
| TEST DAY MODEL | Total | Maturity rate | 1st | 2 st | 3 st |
| Milk | 1000 | 95 | 1224 | 918 | 859 |
| Fat Kg | -4 | 99 | -2 | -6 | -5 |
| Protein Kg | 22 | 94 | 31 | 20 | 17 |
| Fat % | -0.40 | 104 | -0.42 | -0.41 | -0.37 |
| Protein % | -0.11 | 97 | -0.10 | -0.11 | -0.12 |
| Somatic Cells | 96 | 102 | 95 | 96 | 96 |
| Daug | 7825 | | 7733 | 5504 | 3183 |
| Persistence | 96 | | 98 | 92 | 97 |
| % weight of | | | 100 | 100 | 100 |
| % records | 128393 | | 48 | 33 | 19 |
| N°.average rec/leng | | | 8.0 | 7.8 | 7.5 |

| | | | |
|-------------------------------|------------|-----------------------------|------------|
| %milk. daug.>180 dd | 44 | % lactat.>240 day | 82 |
| Average l.length | 232 | Average 1st lact. | 260 |
| Gives Calculation | 10/01/2006 | Gives Press | 11/21/2006 |



| | | | | | | | | |
|-----------------------------------|-------------------------|---------------------------------|---------------------------------|---------------------------------|---------------------------------|-------------|-----|----------------|
| STANDARDIZATION/MORPHOLOGY | | IT 10/01/2006 | | | | | | |
| | | -3 | -2 | -1 | 0 | 1 | 2 | 3 |
| Milk Kg | 1,000 | | | | g g g g g g g g g g g g g g g g | | | |
| Fat Kg | -4 | | | | g | | | |
| Protein Kg | 22 | | | | g g g g g g g g g g g g g g g g | | | |
| Type | 0.88 Not Desider | | | | g g g g g g g g g g g g g g g g | | | Desired |
| Udder Index | 0.88 | | | | g g g g g g g g g g g g g g g g | | | |
| Feet /Legs | 1.93 | | | | g g g g g g g g g g g g g g g g | | | |
| Stature | 1.55 | | | | g g g g g g g g g g g g g g g g | | | |
| Strength | -0.67 | | | g g g g g g | | | | |
| Depth | -0.88 | | | g g g g g g g g g g | | | | |
| Angularity | 1.53 | | | | g g g g g g g g g g g g g g g g | | | |
| Rump Angle | 0.60 | | | | g g g g g g | | | |
| Rump Width | 0.17 | | | | g | | | |
| Conformation | 1.13 | | | | g g g g g g g g g g g g g g g g | | | |
| Rear Legs | -0.98 | | | g g g g g g g g g g | | | | |
| Back Legs | 1.66 | | | | g g g g g g g g g g g g g g g g | | | |
| Foot angle | 2.49 | | | | g g g g g g g g g g g g g g g g | g g g g g g | | Tall |
| F.& L. Score | 1.90 | | | | g g g g g g g g g g g g g g g g | | | |
| Fore Udder | 0.09 | | | | g | | | |
| R.Ud. Height | 0.06 | | | | | | | |
| R.Ud. Width | -0.34 | | | g g g g | | | | |
| Udder Cleft | 1.78 | | | | g g g g g g g g g g g g g g g g | | | |
| Udder Depth | 1.20 | | | | g g g g g g g g g g g g g g g g | | | |
| Fore teats | 0.99 | | | | g g g g g g g g g g g g g g g g | | | |
| Rear teats | 1.68 | | | | g g g g g g g g g g g g g g g g | | | |
| Teats Size | 0.82 | | | | g g g g g g g g g g g g g g g g | | | |
| | | 85 | 90 | 95 | 100 | 105 | 110 | 115 |
| Calvig Easy Bull | 88 | | g g g g g g g g g g g g g g g g | | | | | |
| Calving Easy Daughters | 89 | | g g g g g g g g g g g g g g g g | | | | | |
| Speed Of I Milk | 104 | | | | g g g g g g g g g g g g g g g g | | | |
| Somatic Cells | 96 | | | | g g g g g g g g g g g g g g g g | | | |
| Longevity | 92 | | | g g g g g g g g g g g g g g g g | | | | |
| Fertility | 82 | g g g g g g g g g g g g g g g g | | | | | | |